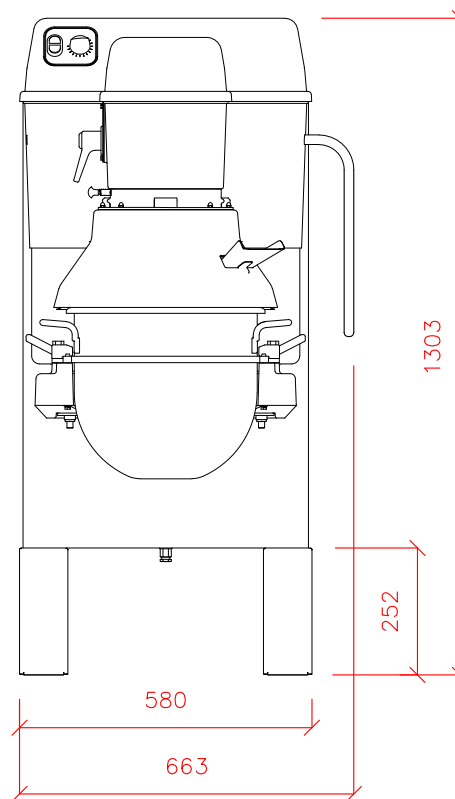
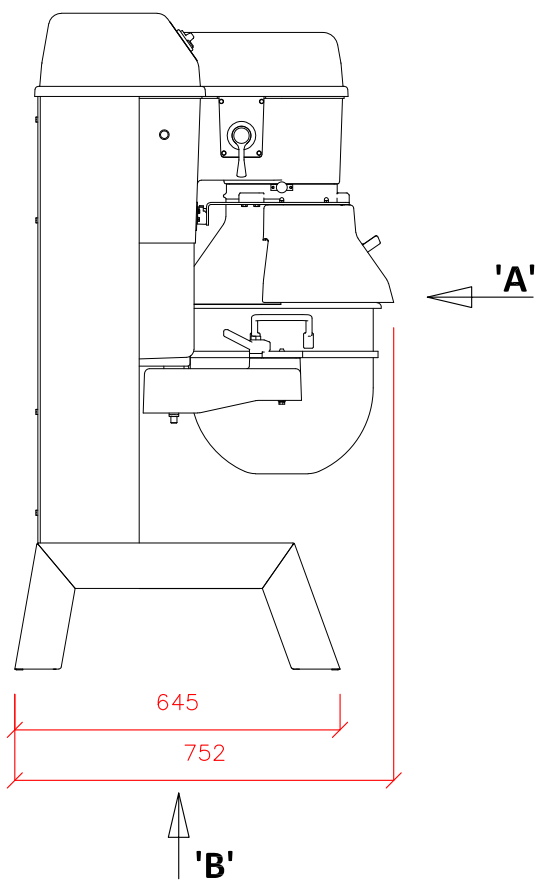
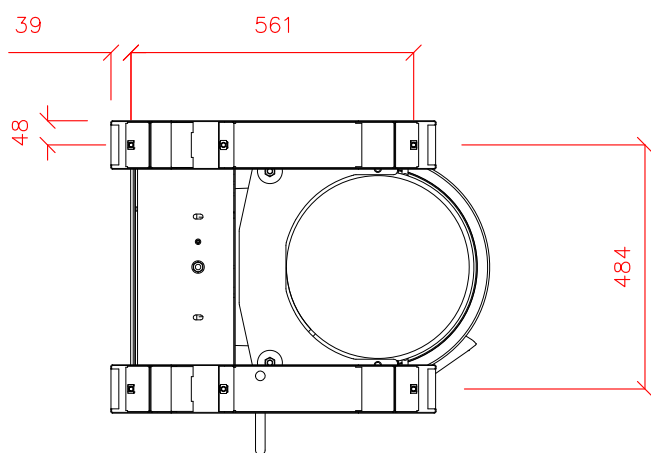


30 Litre Floor Standing Mixer

H300SN-4053-SS



View on 'A'



View on 'B'



- | | |
|----------|---|
| 1 | Electric - (3 Phase Supply)
1.1kW - 400/50/3 Recommended to be fused at 10amps |
| 2 | Weight
Mixer weight including agitator and bowl (empty) - 204kg
Shipping weight (on wooden pallet) - 222kg |

PLOT SCALE: 1:15