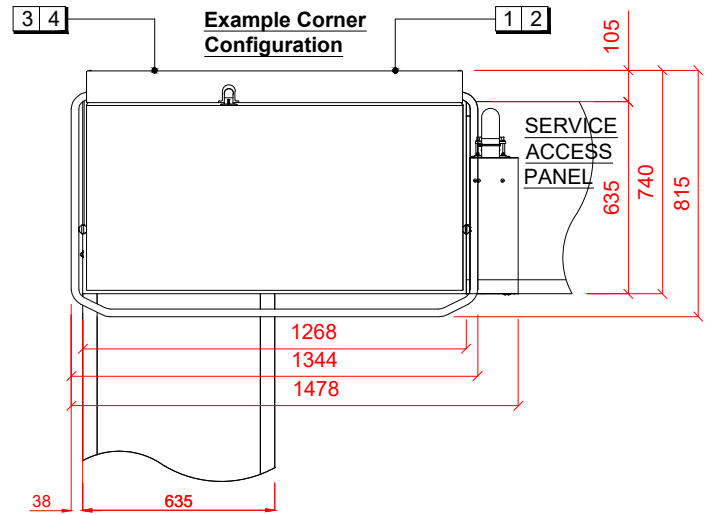
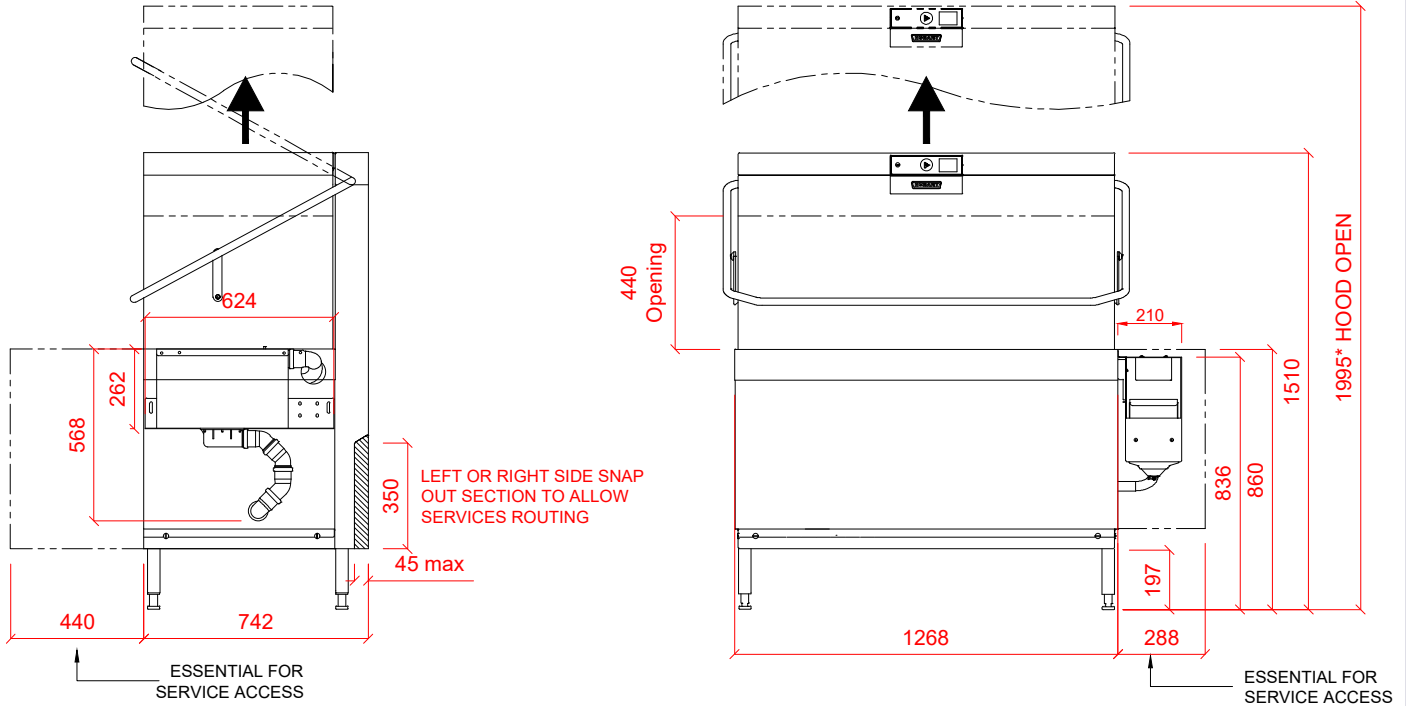


Twin Hood Type Pass Through Dishwasher with Automatic Soil Removal

AUPT-10B



1 Water

22mm CONNECTION VIA 2 METRE FLEXIBLE HOSE, FEMALE TERMINATION. WATER SUPPLY 10°C TO 50°C (2 TO 8° CLARK) @ 0.5 TO 10 BAR MAX. FOR 12.3kW BOOSTER HEATING.
OR
WATER SUPPLY 50°C (2 TO 8° CLARK) @ 0.5 TO 10 BAR MAX. FOR 6.15kW BOOSTER HEATING. INITIAL TANK FILL 80 LITRES. RINSE WATER USAGE 4.0 LITRES PER CYCLE. MAX USAGE 280 LITRES PER HOUR. OUR MACHINES ARE SUPPLIED WITH CLASS 'AB' AIR GAP AS STANDARD.

2 Drain

DRAIN - 2 METER FLEXIBLE HOSE TO A 40mm TRAPPED STANDPIPE UP TO 750mm MAX A.F.F.L.
FLOW RATE 30 LITRES PER MINUTE. DRAIN RATE TYPICALLY 3 MINUTES.

3 Electric

22.5kW 400/50/3 + N + E FUSED AT 40amps / PHASE.
CONFIGURABLE TO:
18.7kW 400/50/3 + N + E FUSED AT 32amps.
12.7kW 400/50/3 + N + E FUSED AT 20amps.

4 Other Services

RINSE AGENT HOSE - 2.5 METRE FLEXIBLE. DETERGENT HOSE - 2.5 METRE FLEXIBLE.

Notes

Approx Weights: EMPTY: 180kg WITH WATER: 220kg
Min distance to Wall to Inside of tabling boxed edge 154.5mm.
HEIGHTS MARKED * REPRESENT ±20mm.
AUTOMATIC SOIL REMOVAL UNIT CAN BE POSITIONED ON EITHER SIDE OF MACHINE.